

Fan Type Code

RF G 150	
Baugröße size	150
Motorversion motor version	E = Einphasenwechselstrom . single phase AC G = Einphasengleichstrom . . . single phase DC
Rohrventilator inline tube fan	

Features and Construction

Tube fans of seires RFE and RFG are axial flow fans with integrated guide fan. Both sides of the fan can be fitted to circular duct and be fixed with fast clamps.

Housing

The housing is made of injection mould black PP. The series is designed in a way that by putting on a flange on each side of the housing the actual size becomes the next smaller size.

The fans have protection class IP 44.

Motors

RFE - These fans have a single phase motor.

RFG - These fans are driven by electronically commutated DC-motors with low power consumption.

Control Unit

RFE - For simple controls a step switch is sufficient. More finetuned control can be achieved by standard controllers for single phase AC.

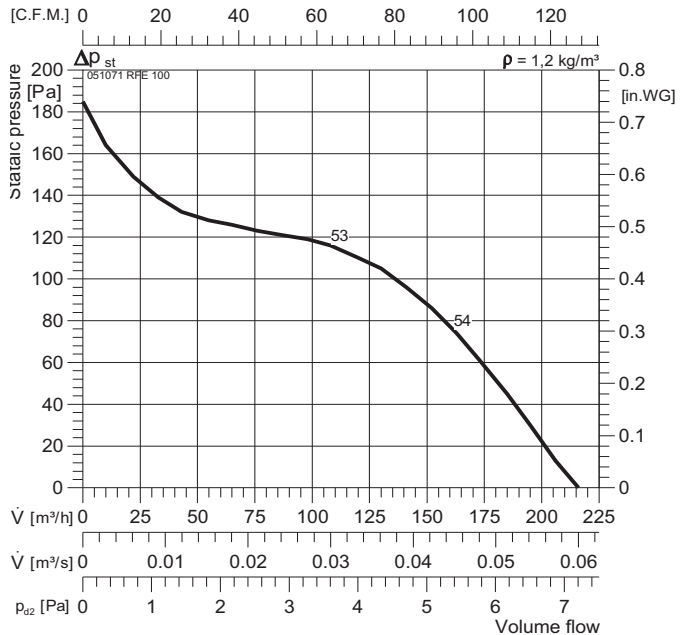
Fan Performance Curves

The performance curves in this catalogue have been established using the inlet test method in the test chamber according to DIN 24 163, mounting position B. The curves indicate the static pressure increase Δp_{st} as a function of the volume flow.

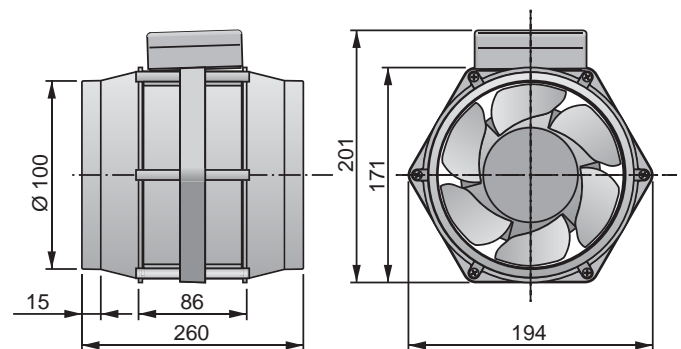
Mounting

The RF-type inline tube fans are directly mounted into circular duct, fixed by fast clamps. Due to the very low height, the RFG is ideal for use in false ceilings.

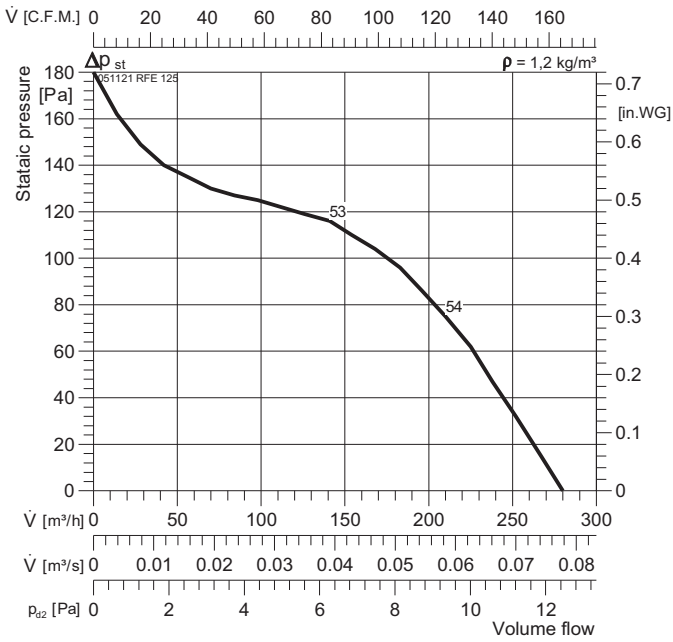
RFE 100



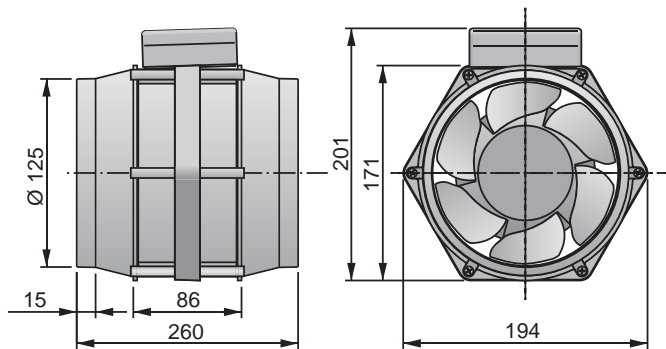
Typ : RFE 100	4 IP54	Δ dB	L_{WA2}	L_{WA5}	L_{WA6}
ArtNr : 051071	5 E18	$L_{WA tot}$	-13	2	0
) : 1,9 kg	- GS 1	125 Hz	-21	-15	-15
U : 230 V 50 Hz	. FWG-4	250 Hz	-19	-7	-7
P_1 : 0,035 kW	3 NE 0,5	500 Hz	-19	-3	-7
I_N : 0,15 A	* RPE 02	1 kHz	-20	-4	-5
n : 2800 min ⁻¹		2 kHz	-23	-4	-7
C_{400V} : 1 μ F		4 kHz	-27	-12	-13
t_R : 40 °C		8 kHz	-36	-20	-22



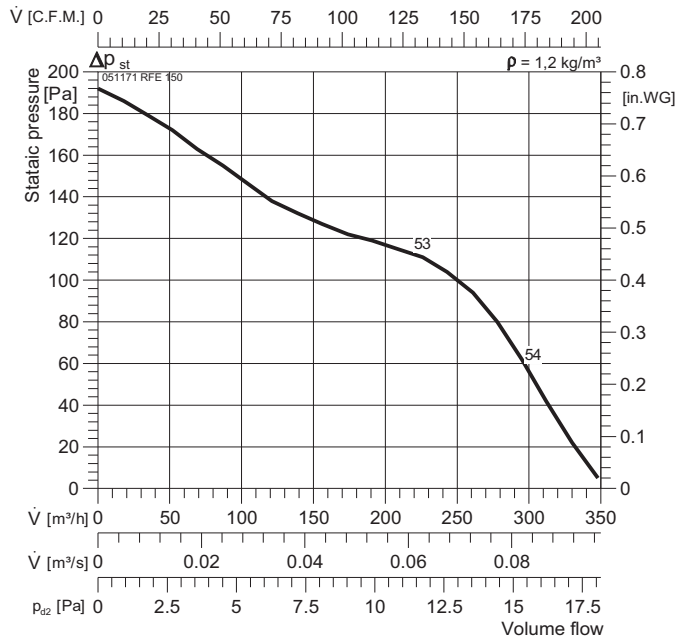
RFE 125



Typ : RFE 125	4	IP54	Δ dB	L_{WA2}	L_{WA5}	L_{WA6}
ArtNr : 051121	5	E18	$L_{WA \text{ tot}}$	-13	2	0
) : 1,9 kg	-	GS 1	125 Hz	-21	-15	-15
U : 230 V 50 Hz	.	FWG-4	250 Hz	-19	-7	-7
P_1 : 0,035 kW	3	NE 0,5	500 Hz	-19	-3	-7
I_N : 0,15 A	*	RPE 02	1 kHz	-20	-4	-5
n : 2800 min ⁻¹			2 kHz	-23	-4	-7
C_{400V} : 1 μ F			4 kHz	-27	-12	-13
t_R : 40 °C			8 kHz	-36	-20	-22



RFE 150



Typ : RFE 150	4	IP54	Δ dB	L_{WA2}	L_{WA5}	L_{WA6}
ArtNr : 051171	5	E18	$L_{WA \text{ tot}}$	-13	2	0
) : 1,9 kg	-	GS 1	125 Hz	-21	-15	-15
U : 230 V 50 Hz	.	FWG-4	250 Hz	-19	-7	-7
P_1 : 0,035 kW	3	NE 0,5	500 Hz	-19	-3	-7
I_N : 0,15 A	*	RPE 02	1 kHz	-20	-4	-5
n : 2800 min ⁻¹			2 kHz	-23	-4	-7
C_{400V} : 1 μ F			4 kHz	-27	-12	-13
t_R : 40 °C			8 kHz	-36	-20	-22

